

The logo for Powerside, featuring the word "POWERSIDE" in a bold, white, sans-serif font. The letter "O" is replaced by a blue circular icon with horizontal white stripes. A registered trademark symbol (®) is located at the top right of the word.

POWERSIDE®

All our energy, in your power

A photograph of a male and female doctor in white lab coats looking at a tablet. The image is overlaid with various digital and medical graphics, including a blue brain scan, binary code (0s and 1s), a DNA double helix, a human torso with internal organs, and a stethoscope. The background is a dark blue gradient.

Medical Diagnostic Modality Monitoring Solutions

Powerside offers a series of monitoring solutions specially designed for medical imaging modalities. The PQube® 3 Power Analyzers and sensors monitor power disturbances and the environment that can affect sensitive modalities in the technical and examination rooms. Maintaining good power quality and controlling the environment is essential to reduce system downtime, prolong equipment lifetime, improve image quality, and increase productivity.

ENSURE HEALTHCARE FACILITY COMPLIANCE AND MODALITIES RELIABILITY

PQube® 3 monitors the facility's voltage supply and modalities power consumption. It can also measure the environment in the technical room and in the examination room.

- ✓ Get the data you need to improve and maintain good power quality with constant 24/7 monitoring.
- ✓ Take the right preventive actions to avoid downtime
- ✓ Get quick root cause data for fast recovery
- ✓ Get environmental data, energy, ambient, vibration, atmospheric pressure and earthquake detection
- ✓ Receive real-time data and alerts on your smart phone
- ✓ Remote access to all modalities parameters for easy and fast troubleshooting

PQube® 3 Power Analyzer is IoT, MODBUS, SNMP and DNP3 ready



Option 1 – Modality Monitoring Solution

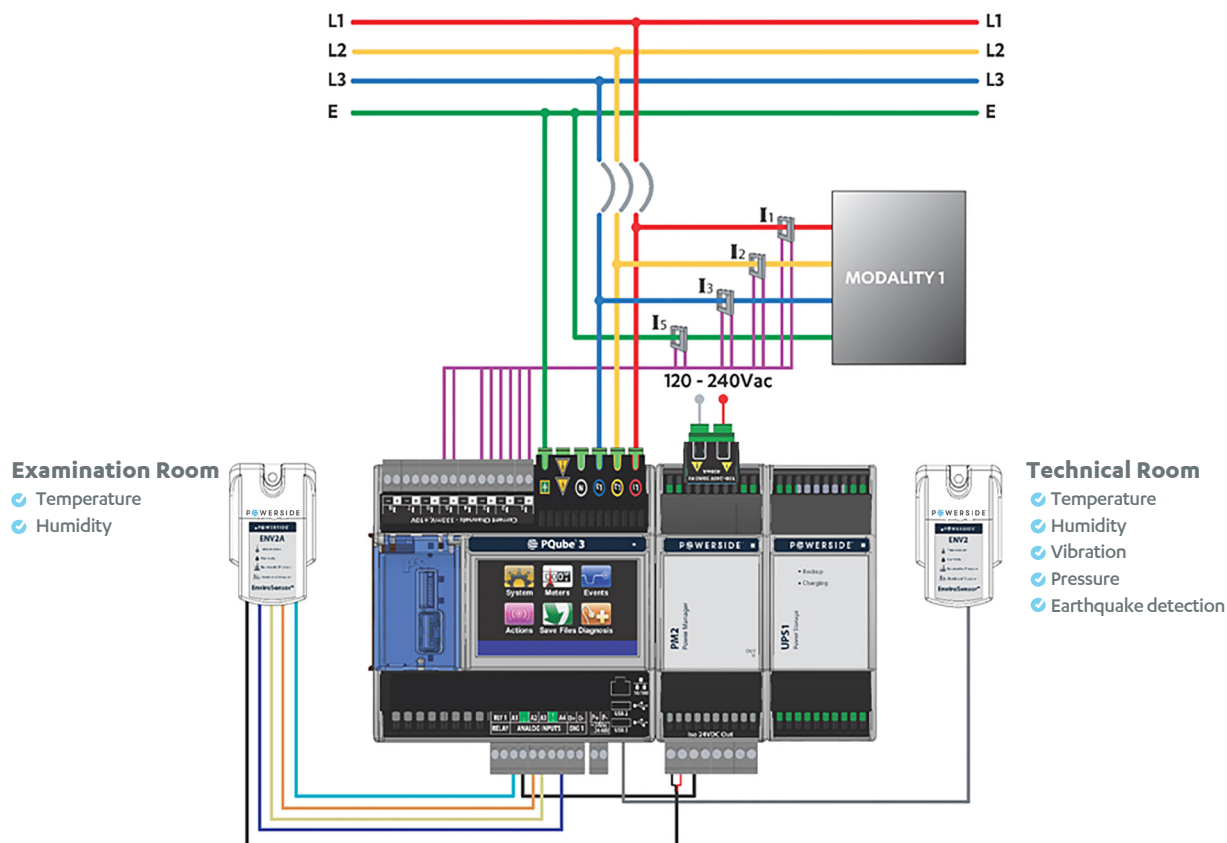


(CT scanners, X-ray or Cardiovascular)

The ideal option for monitoring a CT scan, X-ray or cardiovascular modality. Equipped with two environmental sensors, it simultaneously monitors the environment in the technical room and the temperature and humidity in the examination room.

Includes:

- ✓ 1 PQube® 3 Power Analyzer
- ✓ 1 PM2 Power Manager Module
- ✓ 1 UPS1 Power Backup Module
- ✓ 2 ENV2 Environmental Sensors



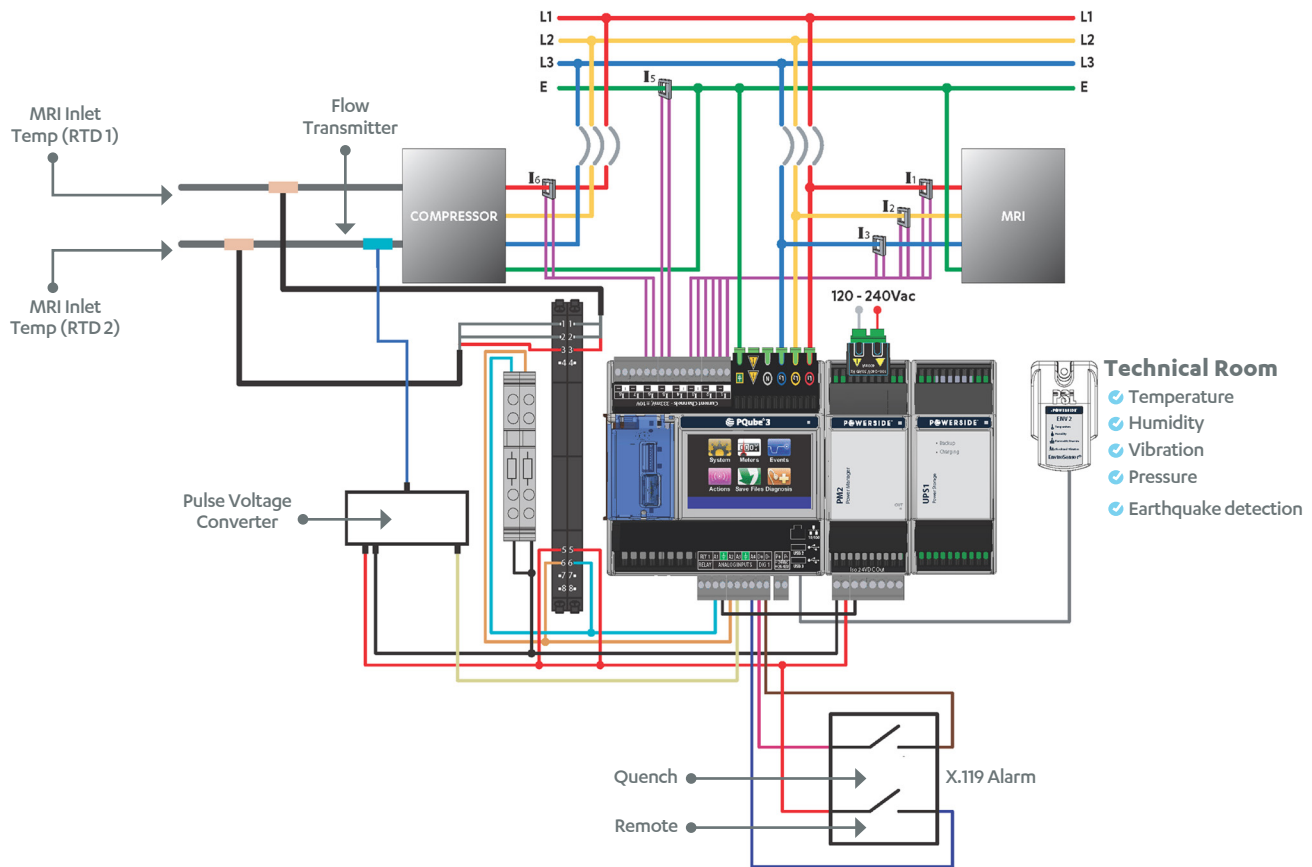


Option 2 – MRI Monitoring Solution

Select this option to determine the MRI reliability and facility compliance. It will monitor the MRI's power consumption, the Helium compressor, quench and remote alarms, water flow, and temperature. It also comes with an environmental sensor to monitor the environment in the technical room.

Includes:

- ✔ 1 PQube® 3 Power Analyzer
- ✔ 1 PM2 Power Manager Module
- ✔ 1 UPS1 Power Backup Module
- ✔ 1 ENV2 Environmental Sensors



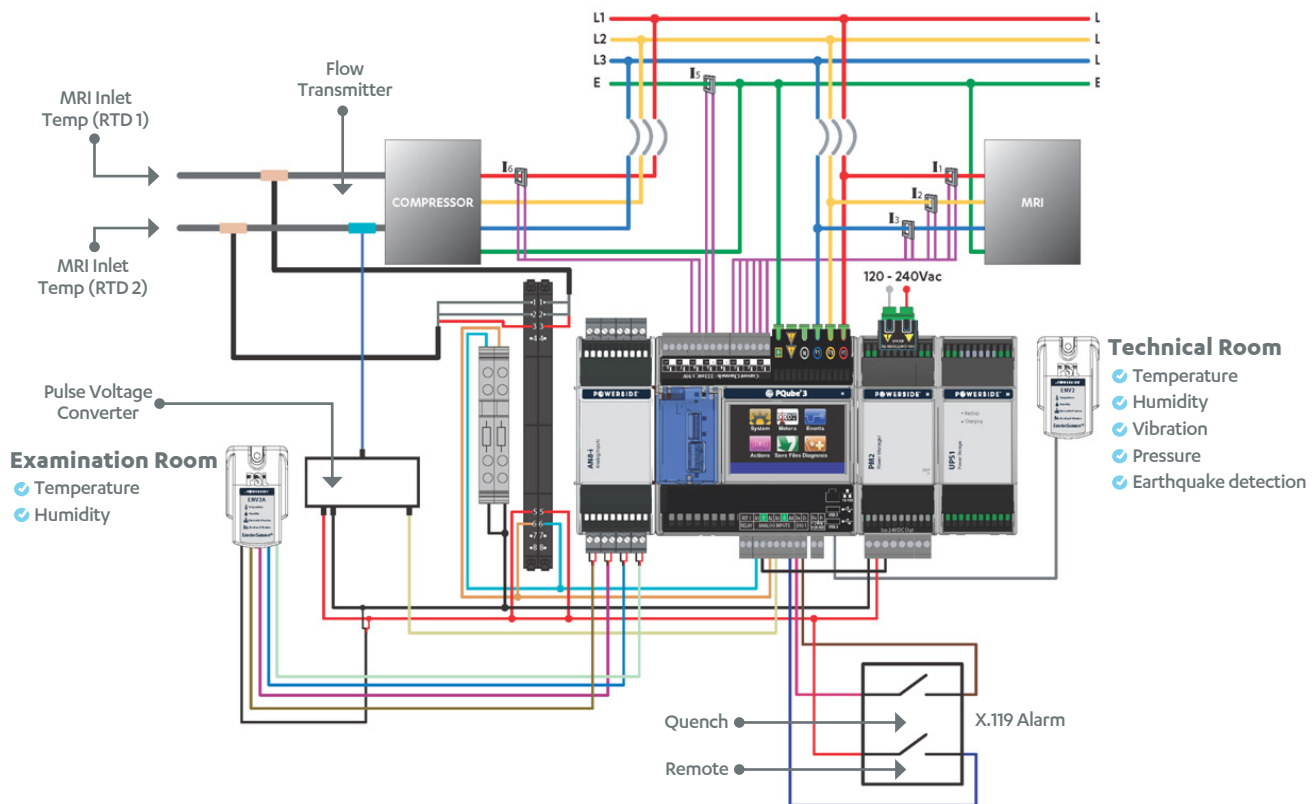
Option 3 – Complete MRI Monitoring Solution



This option includes an analog input module. It allows you to determine the MRI reliability and facility compliance. It monitors the MRI power consumption, the Helium compressor, quench and remote alarms, water flow, and temperature. It can also monitor the environment in the technical room, and the temperature and humidity in the examination room simultaneously.

Includes:

- ✔ 1 Pcube 3® Power Analyzer
- ✔ 1 PM2 Power Manager Module
- ✔ 1 UPS1 Power Backup Module
- ✔ 1 AN8-i Analog Input
- ✔ 2 ENV2 Environmental Sensors



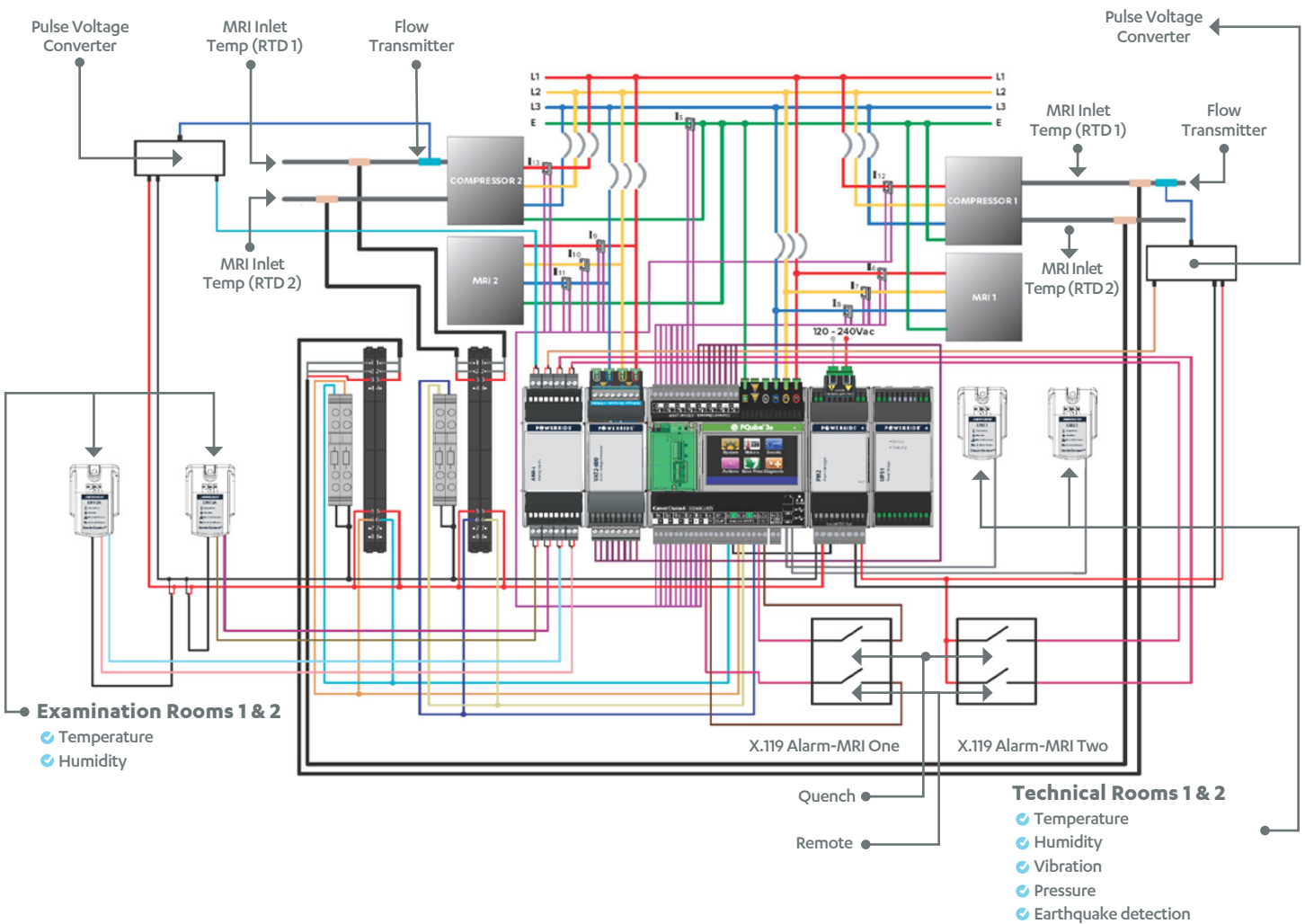
Option 4 – Complete Monitoring Solution For Two MRIs



This option allows you to determine the reliability of two MRI along with the facility compliance. It monitors the modalities power consumption, the Helium compressor, quench and remote alarms, water flow and temperature. It can also monitor the environment in two technical rooms, and the temperature and humidity in two examination rooms simultaneously.

Includes:

- ✓ 1 PQube® 3 Power Analyzer
- ✓ 1 PM2 Power Manager Module
- ✓ 1 UPS1 Power Backup Module
- ✓ 1 AN8-i Analog Input
- ✓ 1 VAT2-600 Voltage Attenuator
- ✓ 4 ENV2 Environmental Sensors



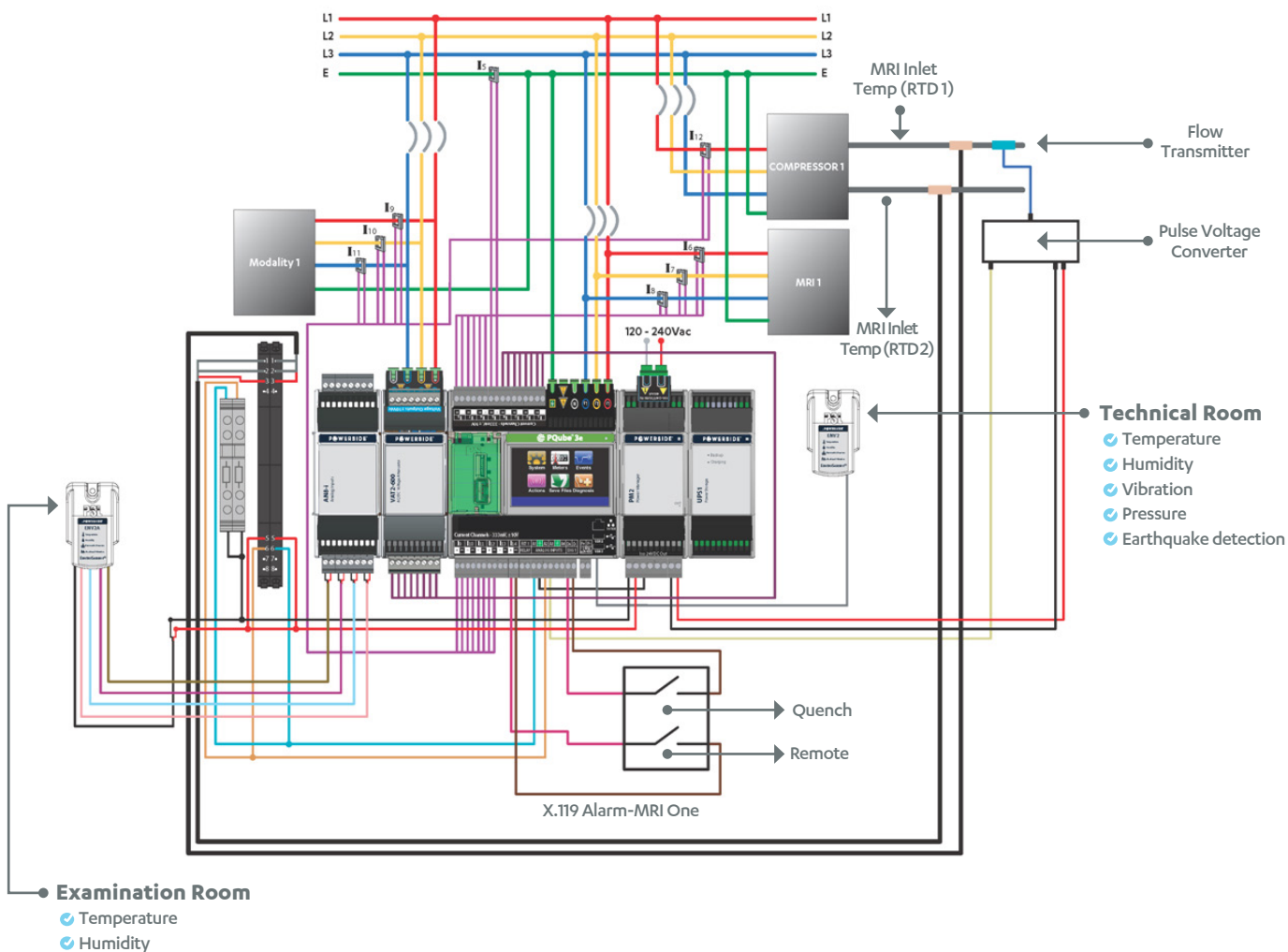


Option 5 – Complete Monitoring Solution For One MRIs, Plus One Modality (CT scanners, X-ray or Cardiovascular)

This option allows you determine the reliability of an MRI and a modality, along with the facility compliance. It monitors the modalities power consumption, the Helium compressor, quench and remote alarms, water flow and temperature. It can also monitor the environment in the technical rooms and the temperature and humidity in the examination room simultaneously.

Includes:

- ✓ 1 PQube® 3 Power Analyzer
- ✓ 1 PM2 Power Manager Module
- ✓ 1 UPS1 Power Backup Module
- ✓ 1 AN8-i Analog Input
- ✓ 1 VAT2-600 Voltage Attenuator
- ✓ 2 ENV2 Environmental Sensors





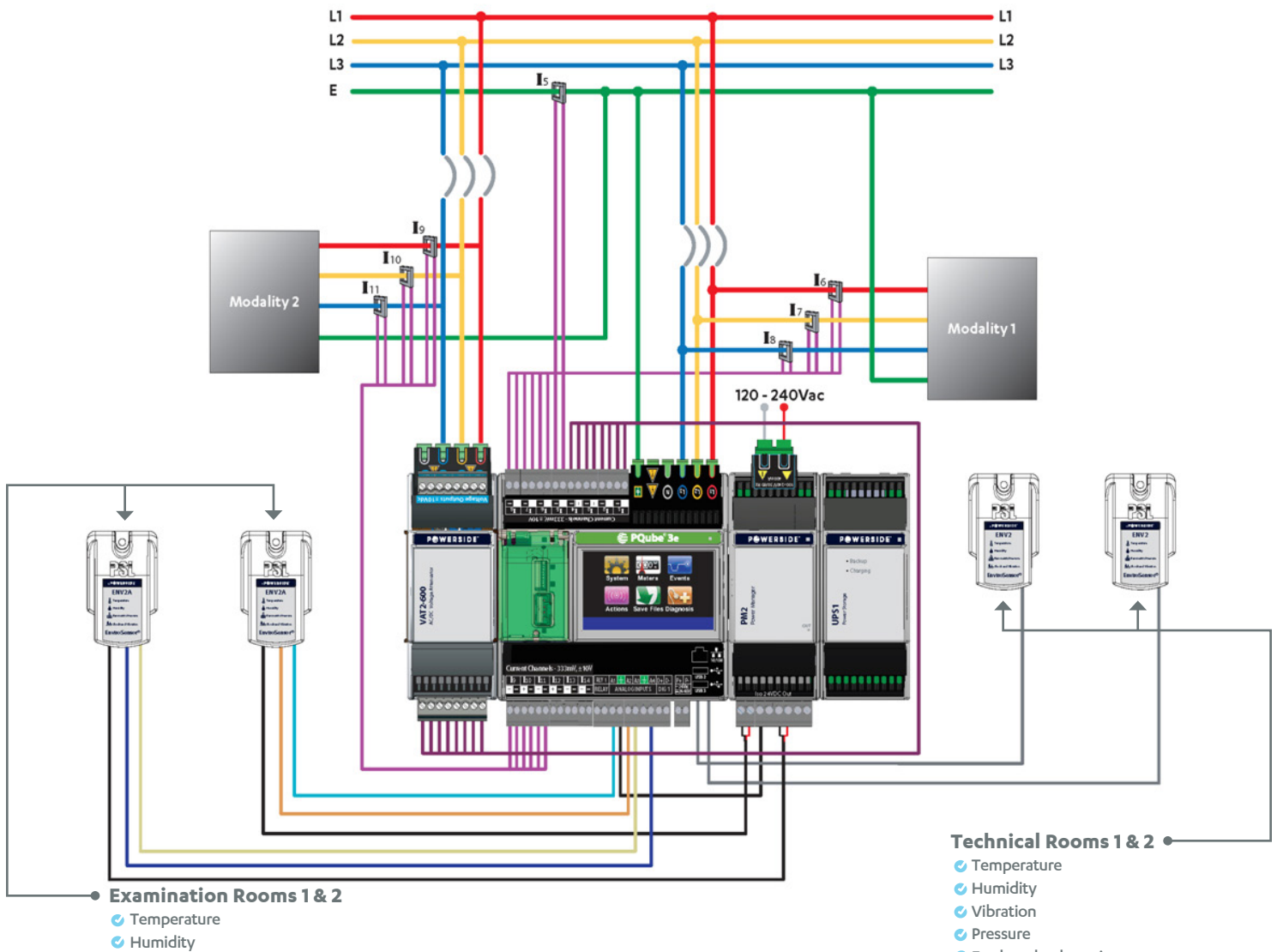
Option 6 – Complete Monitoring Solution For Two Modalities

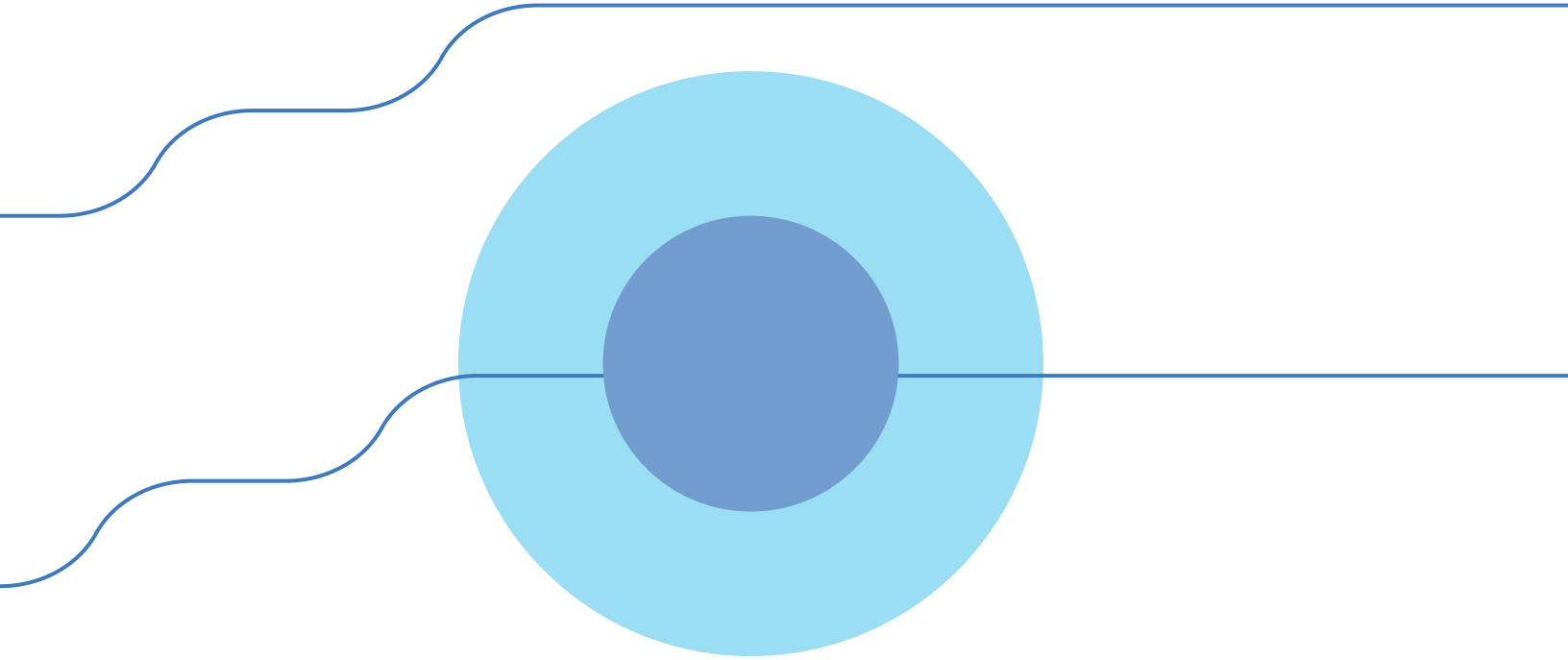
(CT scanners, X-ray or Cardiovascular)

Choose this option to determine the reliability of two modalities, along with facility compliance. It can monitor the environment in two technical rooms, and the temperature and humidity in two examination rooms simultaneously.

Includes:

- ✔ 1 PQube® 3 Power Analyzer
- ✔ 1 PM2 Power Manager Module
- ✔ 1 UPS1 Power Backup Module
- ✔ 1 VAT2-600 Voltage attenuator
- ✔ 4 ENV2 Environmental Sensors





powerside.com

Powerside® and PQube® are trademarks of Power Survey Ltd. and Power Standards Lab.
© 2020 Powerside. All rights reserved.

P  **WERSIDE**®